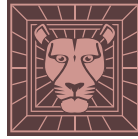


59"

Item Number:

- 389-V59-AGR-A
- 389-V59-CFO-A
- 389-V59-GW-A
- 389-V59-LTO-A

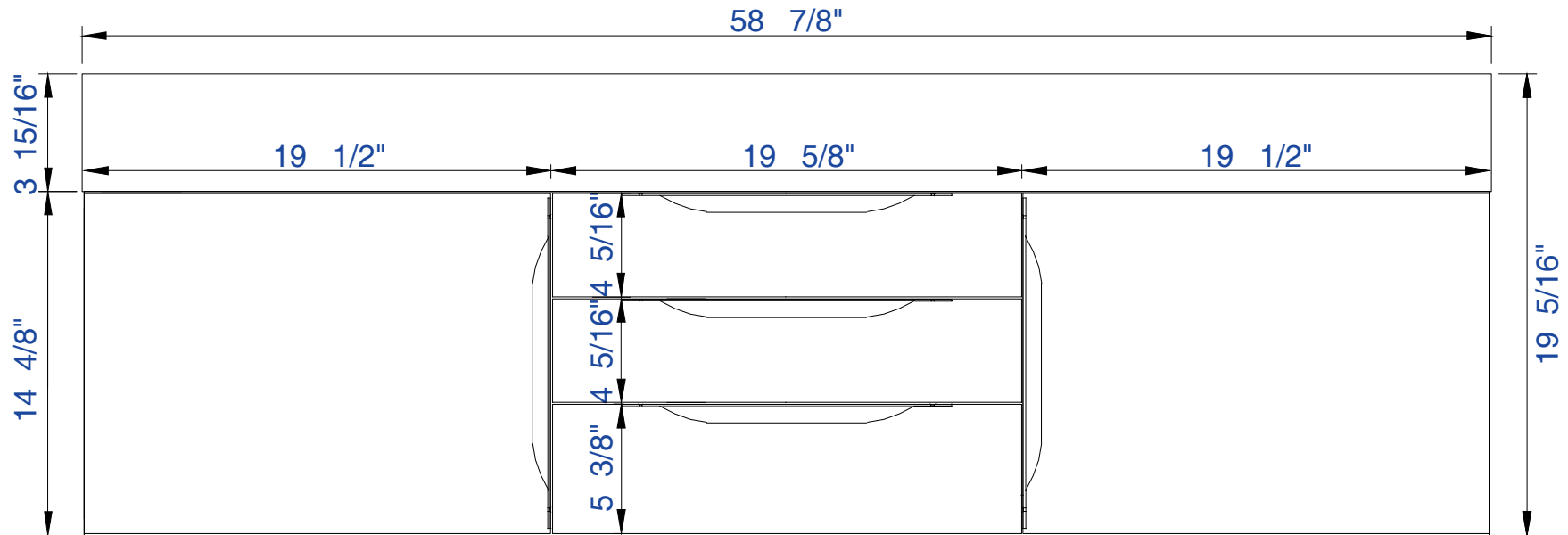
JAMES MARTIN



VANITIES™

Mercer Island 59" Cabinet

Diagrams with Dimensions  
page 01 of 03



NOTE ONE: Countertop with integrated sink is shown on this cabinet

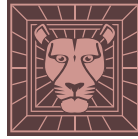
NOTE TWO: This vanity does not have a Backsplash

59"

Item Number:

- 389-V59-AGR-A
- 389-V59-CFO-A
- 389-V59-GW-A
- 389-V59-LTO-A

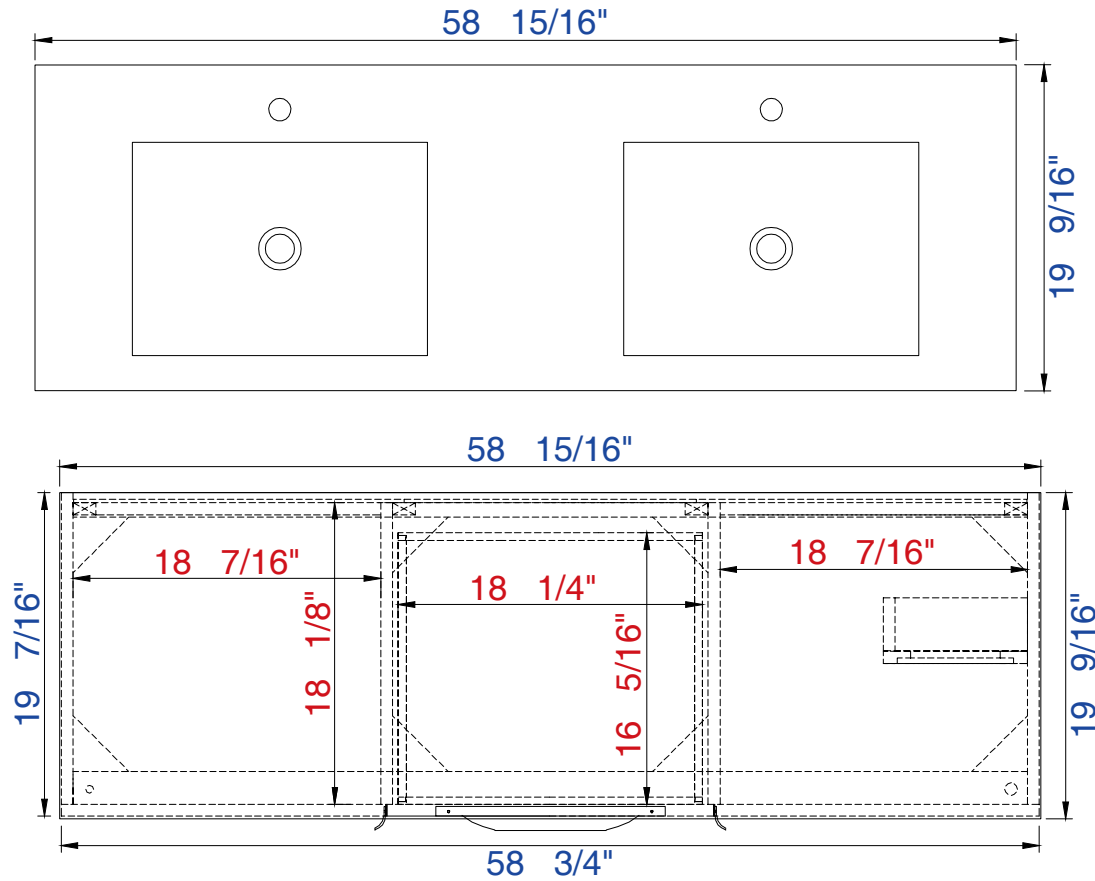
JAMES MARTIN



VANITIES™

Mercer Island 59" Cabinet

Diagrams with Dimensions  
page 02 of 03



NOTE ONE: Countertop with integrated sink is shown on this cabinet

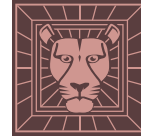
59"

Item Number:

JAMES MARTIN

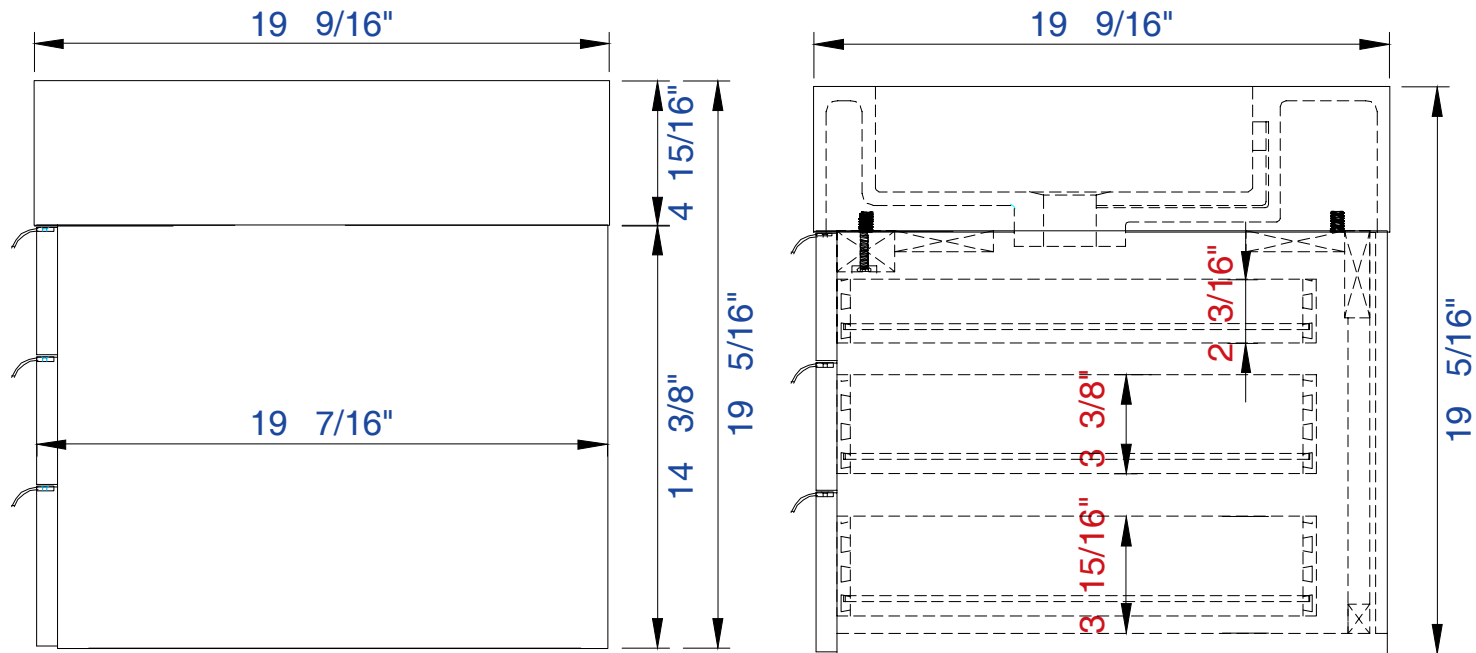
Mercer Island 59" Cabinet

- 389-V59-AGR-A
- 389-V59-CFO-A
- 389-V59-GW-A
- 389-V59-LTO-A



VANITIES™

Diagrams with Dimensions  
page 03 of 03



NOTE ONE: Countertop with integrated sink is shown on this cabinet

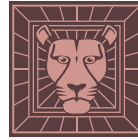
NOTE TWO: This vanity does not have a Backsplash

1496mm

Item Number:

- 389-V59-AGR-A
- 389-V59-CFO-A
- 389-V59-GW-A
- 389-V59-LTO-A

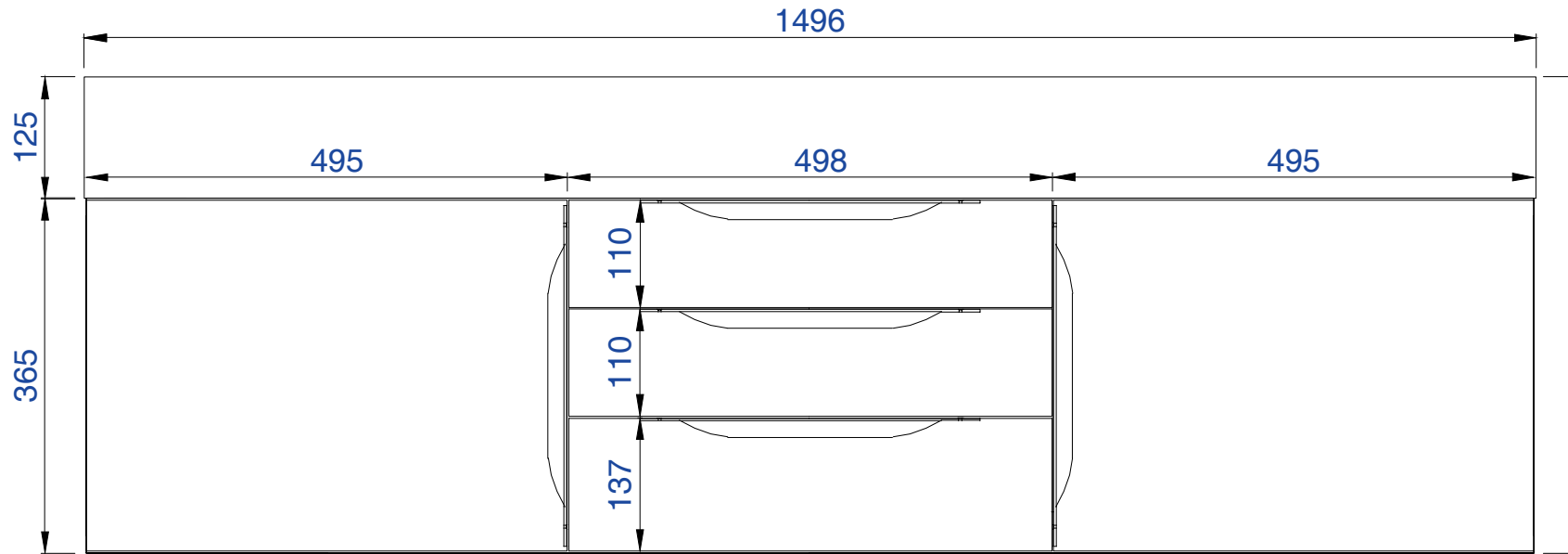
JAMES MARTIN



VANITIES™

Mercer Island 1496mm Cabinet

Diagrams with Dimensions  
page 01 of 03



NOTE ONE: Countertop with integrated sink is shown on this cabinet

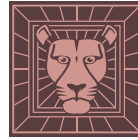
NOTE TWO: This vanity does not have a Backsplash

1496mm

Item Number:

- 389-V59-AGR-A
- 389-V59-CFO-A
- 389-V59-GW-A
- 389-V59-LTO-A

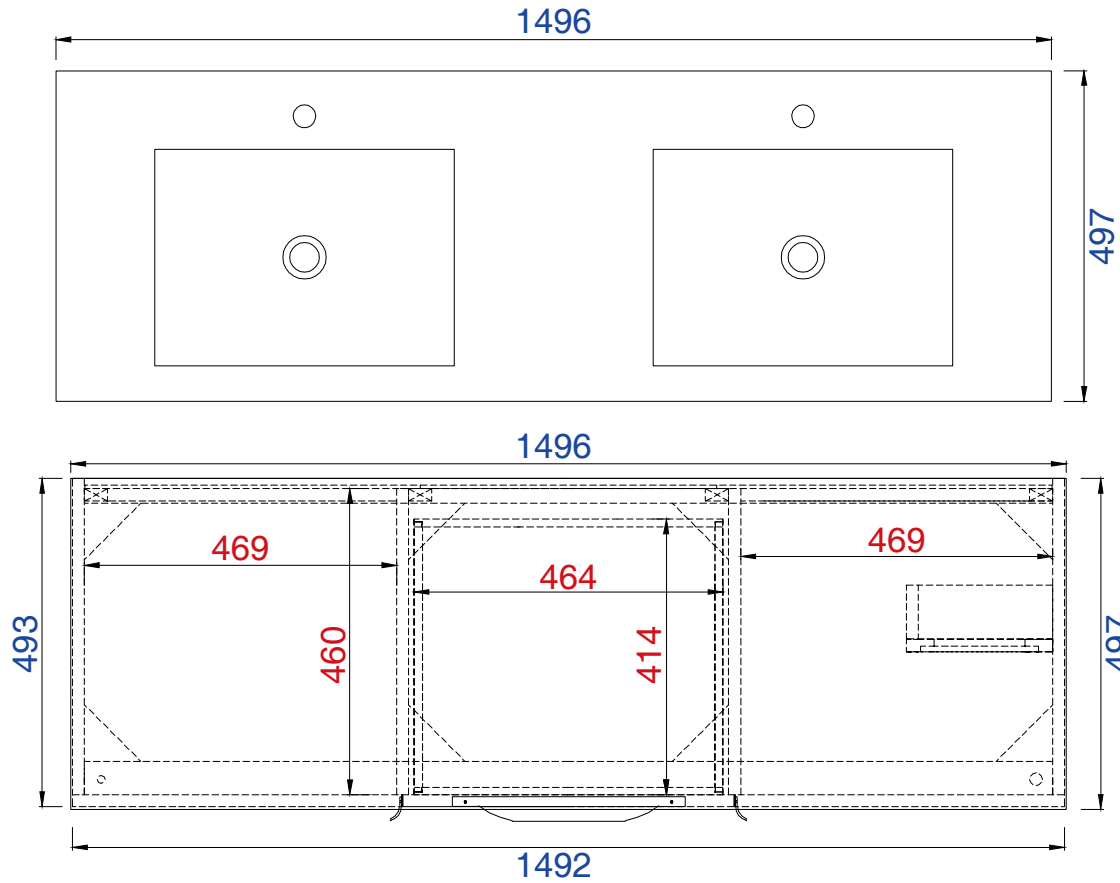
JAMES MARTIN



VANITIES™

Mercer Island 1496mm Cabinet

Diagrams with Dimensions  
page 02 of 03



NOTE ONE: Countertop with integrated sink is shown on this cabinet

1496mm

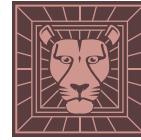
Item Number:

JAMES MARTIN

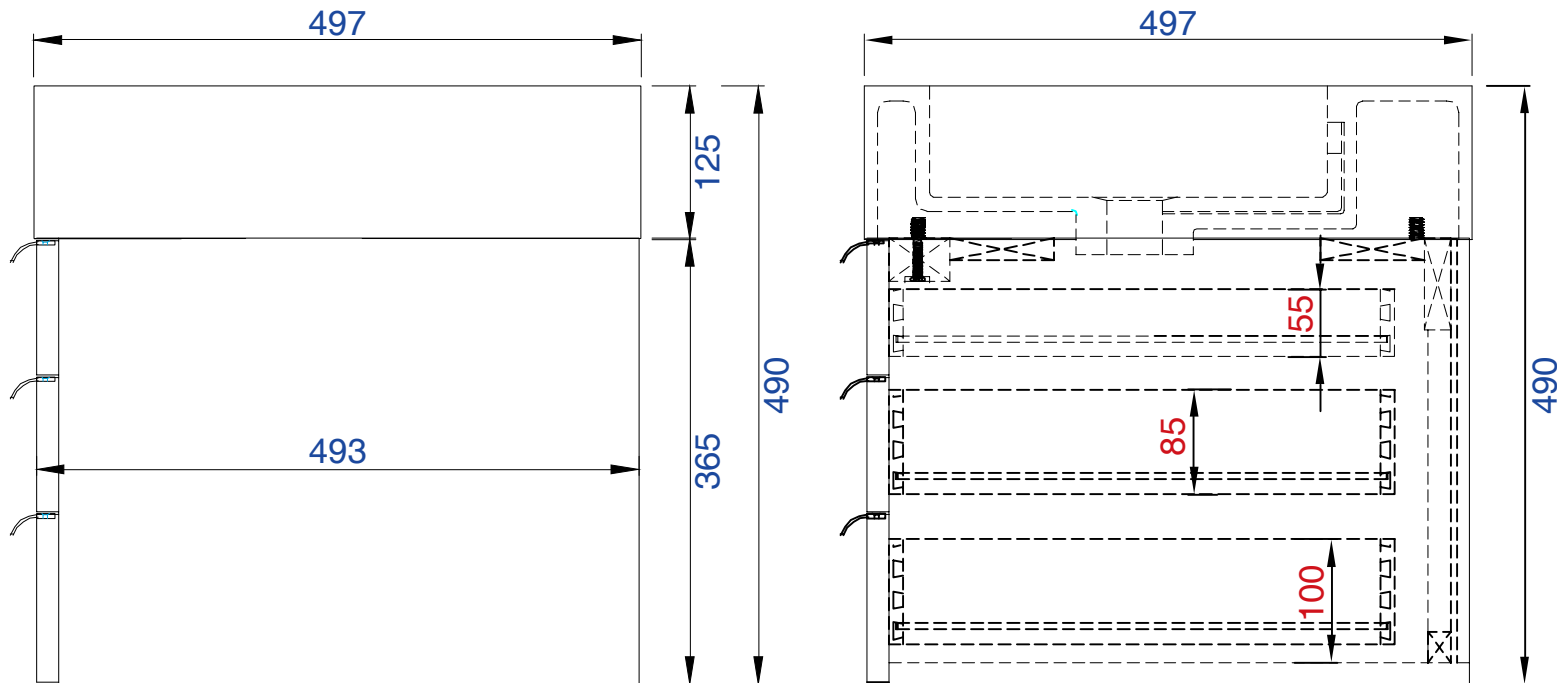
Mercer Island 1496mm Cabinet

- 389-V59-AGR-A
- 389-V59-CFO-A
- 389-V59-GW-A
- 389-V59-LTO-A

Diagrams with Dimensions  
page 03 of 03



VANITIES™



NOTE ONE: Countertop with integrated sink is shown on this cabinet

NOTE TWO: This vanity does not have a Backsplash